

SINGLE GLAZING

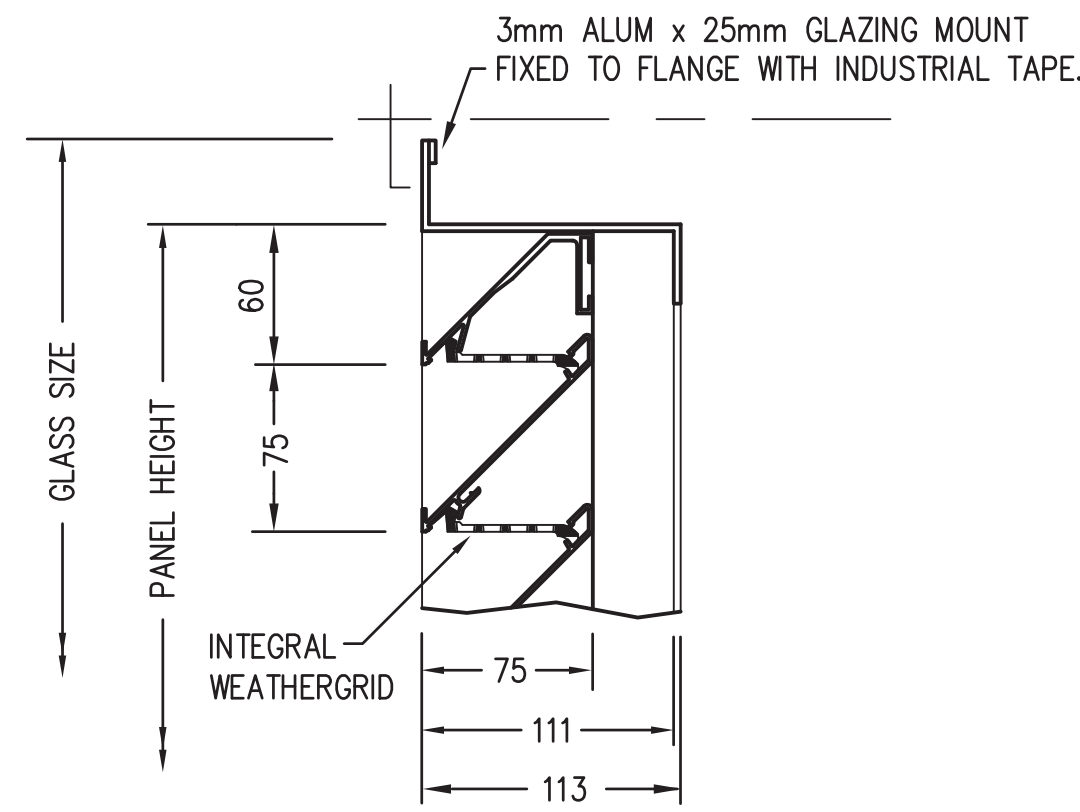
DOUBLE GLAZING

CLADDING DETAIL

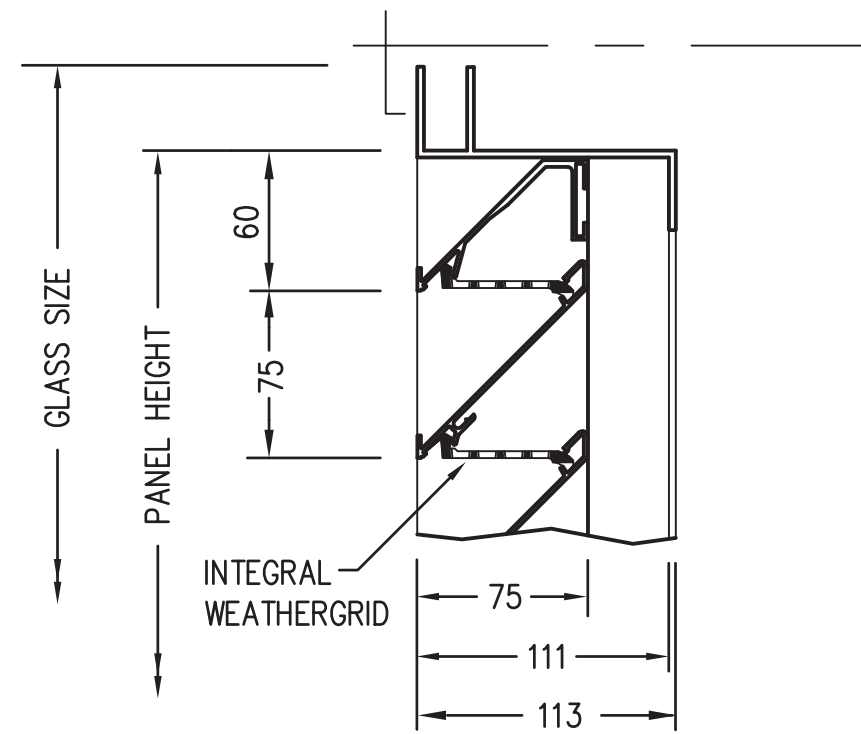
SO SUPPLY ONLY S&F SUPPLY & FIX

LOUVRE TYPE : LOUVRE_TYPE
 TRIM TYPE : TRIM_TYPE
 GUARD TYPE : GUARD_TYPE
 PAINT TYPE : PAINT_TYPE
 FINISH : FINISH
 COLOUR : COLOUR
 LOCATION : LOCATION
 CUSTOMERS REF : CUST_REF'S
 GAV REF : GAV_REF'S

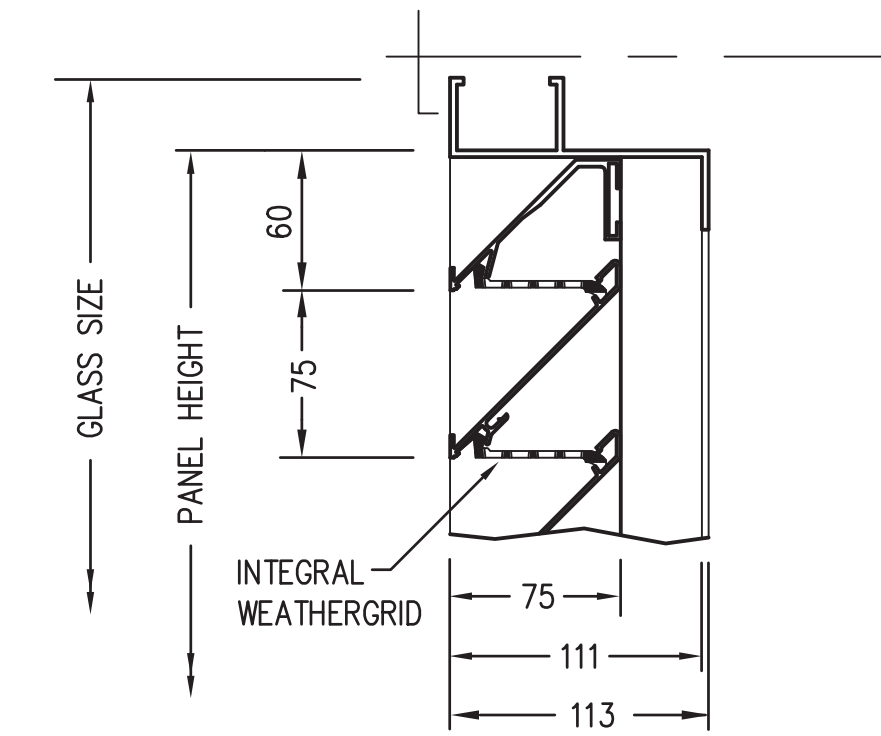
DO NOT SCALE DRAWING, IF IN DOUBT ASK.
 ALL DETAILS & DIMENSIONS MUST BE CONFIRMED AS CORRECT BEFORE MANUFACTURE OF LOUVRES CAN COMMENCE.
 CUSTOMER DRAWINGS USED :-
 CUST_DRAWINGS_USED



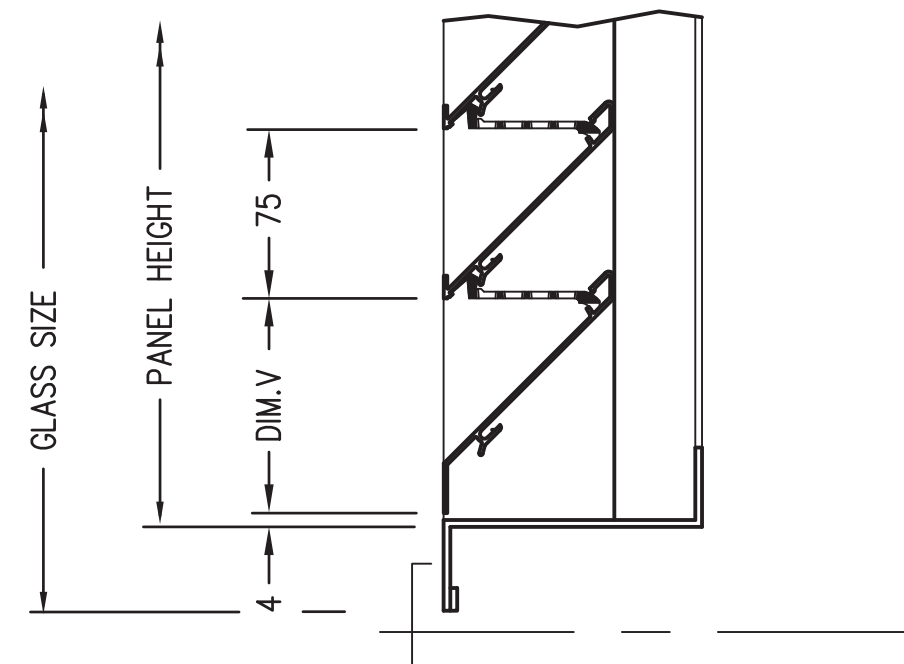
233. STANDARD HEAD DETAIL



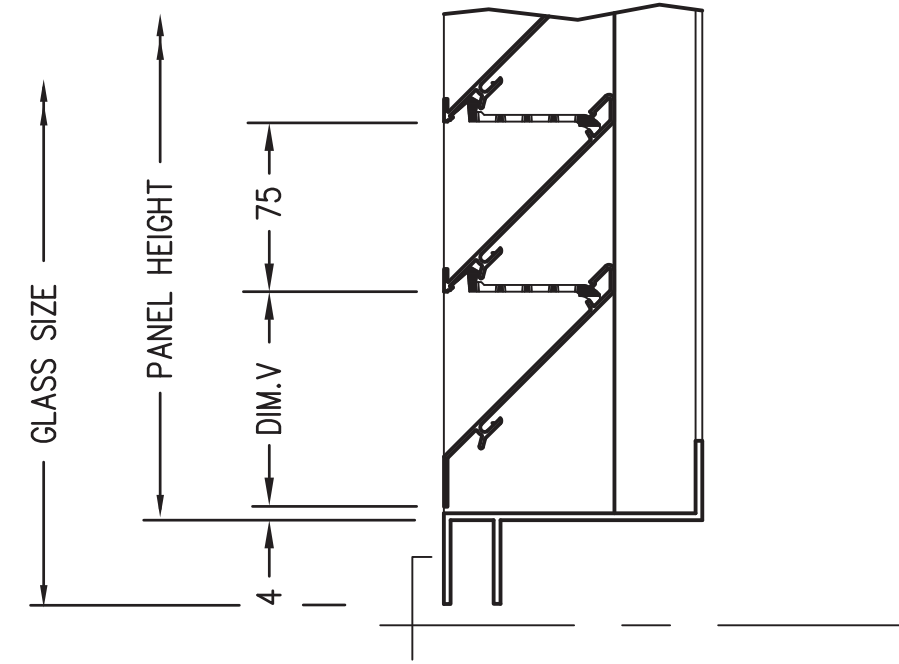
243. STANDARD HEAD DETAIL



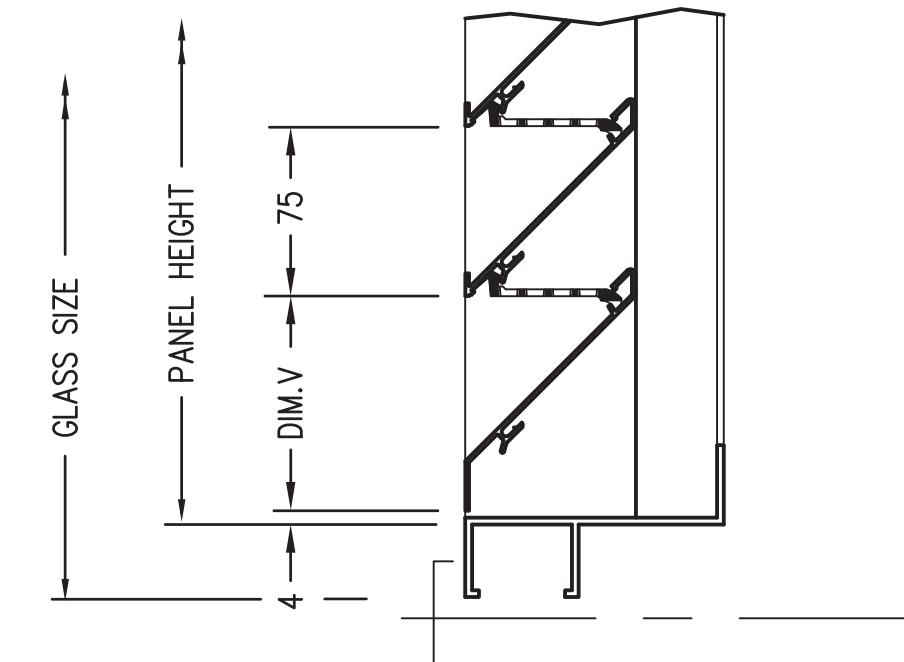
253. STANDARD HEAD DETAIL



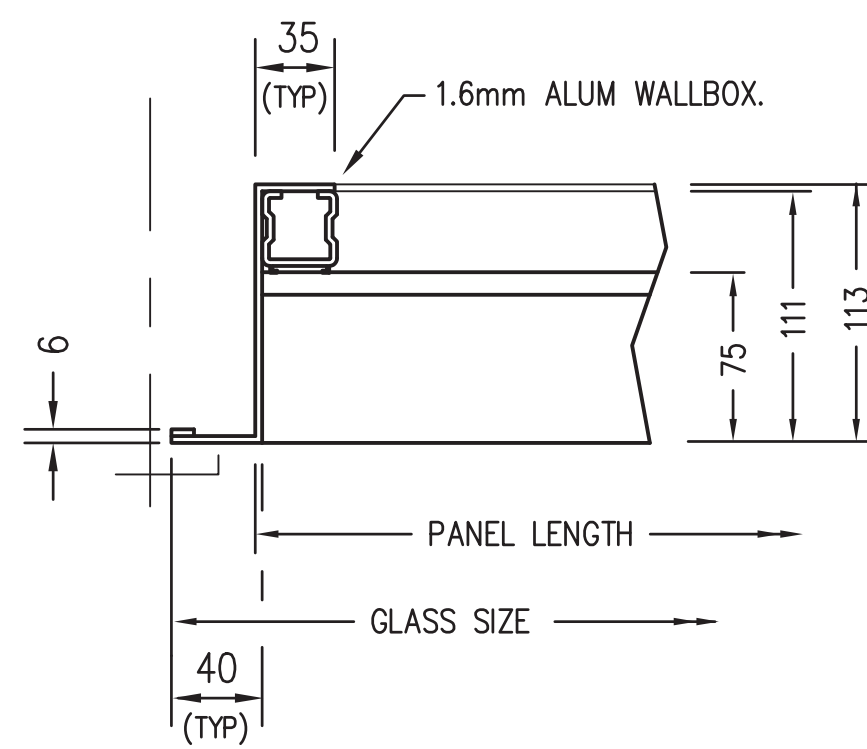
234. VARI-BLADE CILL DETAIL



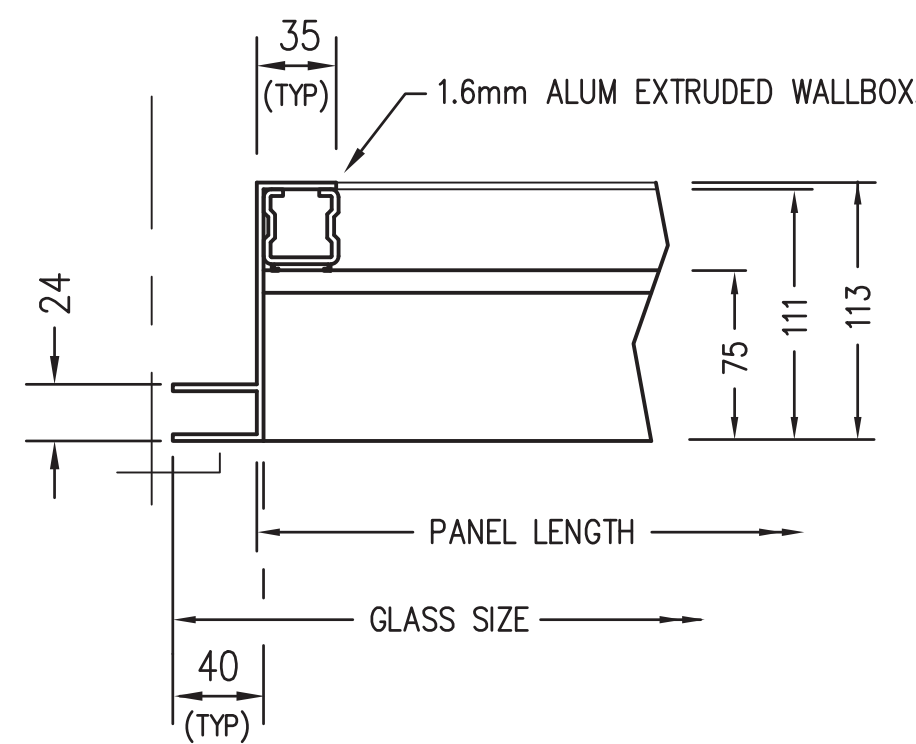
244. VARI-BLADE CILL DETAIL



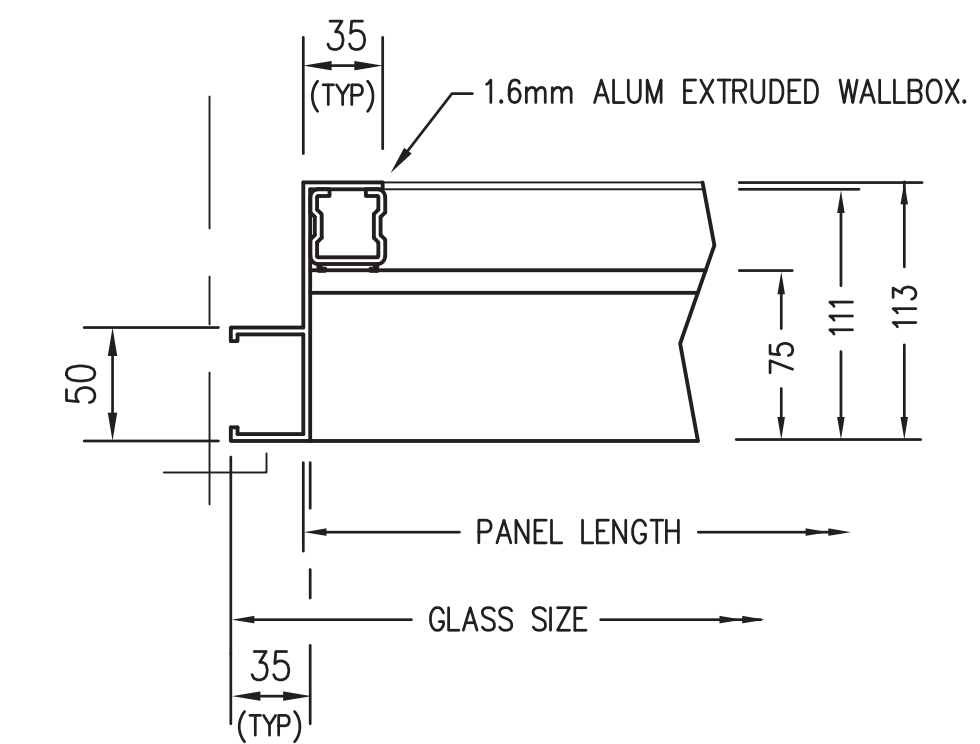
254. VARI-BLADE CILL DETAIL



232. JAMB DETAIL



242. JAMB DETAIL



252. JAMB DETAIL

Rev	Description	Mod. By	Date

© COPYRIGHT 2009 HUNTER PRODUCTS
 THIS DRAWING & DESIGN ARE THE PROPERTY OF HUNTER PRODUCTS GROUP., AND MUST NOT BE COPIED OR USED IN ANY WAY PREJUDICIAL TO THEIR INTERESTS.

Project

Customer

Drawing Title

75EP GLAZING TRIMS

Location/Panel Ref. PANEL_LOCATION

Drawing No.	Sheet No.	Revision
DWG_NO	SHT	REV

Scale SCALE Date DATE

Computer File No. Project No. COMPUTER_FILE_NO CONTRACT_NO

Drawn By DRAWN_BY Checked By CHKED_BY

Coordinated By CONTRACT_ENGINEER Approved By APP'VD_BY

GILL AIR

OFFICE SUITE 3, J2 BUSINESS PARK,
 BRIDGE HALL LANE, BURY, BL9 7NY
 TEL: 0161 763 3735 www.gillair.net

NOTE: The details shown within this drawing are for use as an aid only. If you are unsure which blocks are best suited for your application please contact our technical team on (0161) 763 3735 and we will be

© COPYRIGHT 2009 HUNTER PRODUCTS
 THIS DRAWING & DESIGN ARE THE PROPERTY OF HUNTER PRODUCTS GROUP., AND MUST NOT BE COPIED OR USED IN ANY WAY PREJUDICIAL TO THEIR INTERESTS.